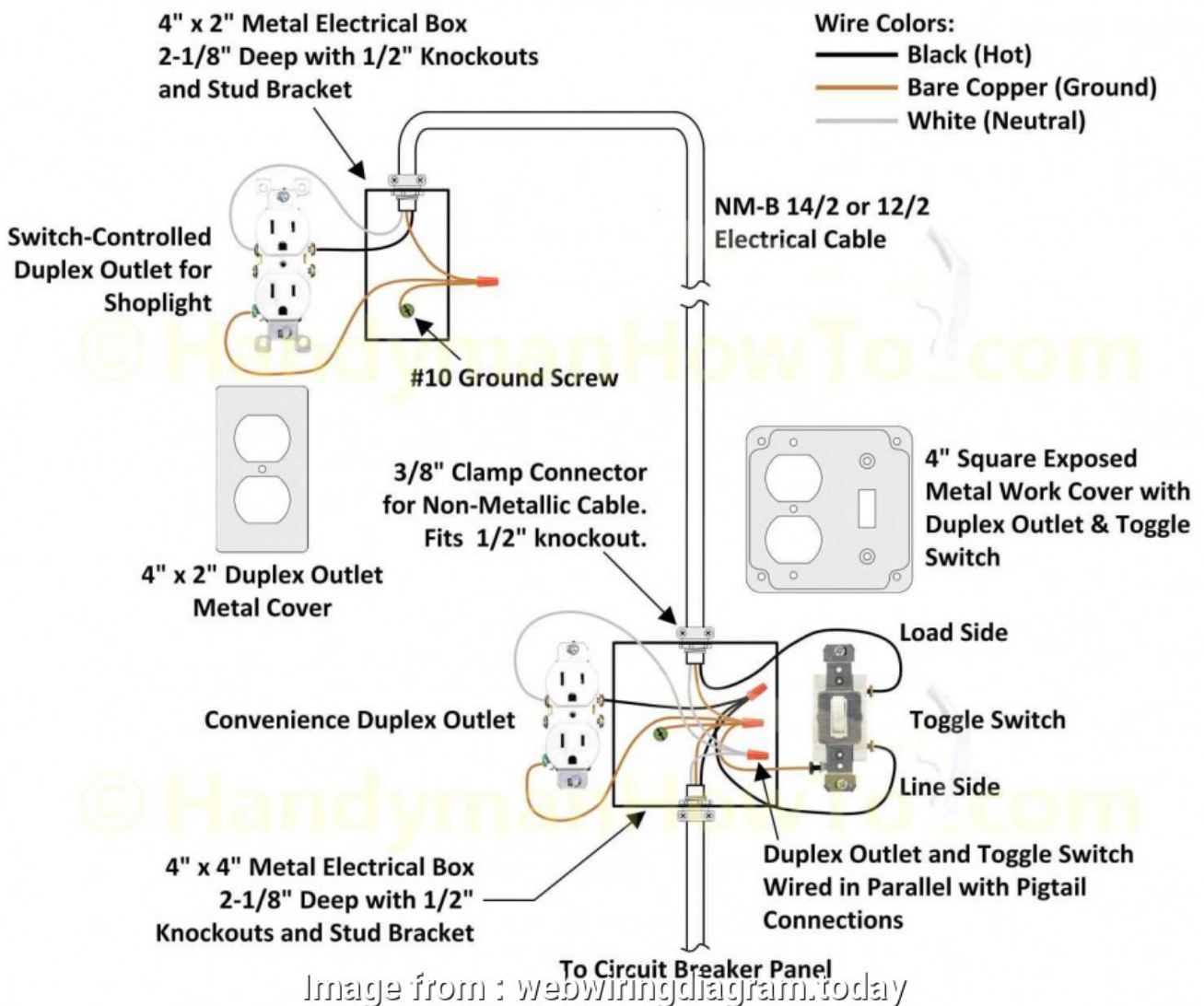




[Draw Tite Activator 2.0!](#)



---

[Draw Tite Activator 2 OI](#)



---

Closely examine the brake output wire (usually blue) Make sure all connections are tight, and that the wire is not pinched or the insulation is not worn or nicked, allowing the conductor to short out on the trailer frame.. 2 Test Standby Condition Draw-Tite Trailer Hitches Towing Accessories Activator II Electronic Brake Control, for 1 to 4 Axle Trailers, Timed Actuated.. Show Other Cequent Brands Operation of the draw-tite activator iii reese brakeman electronic brake control flashing ol error decimal only output setting flashing ol error output setting.

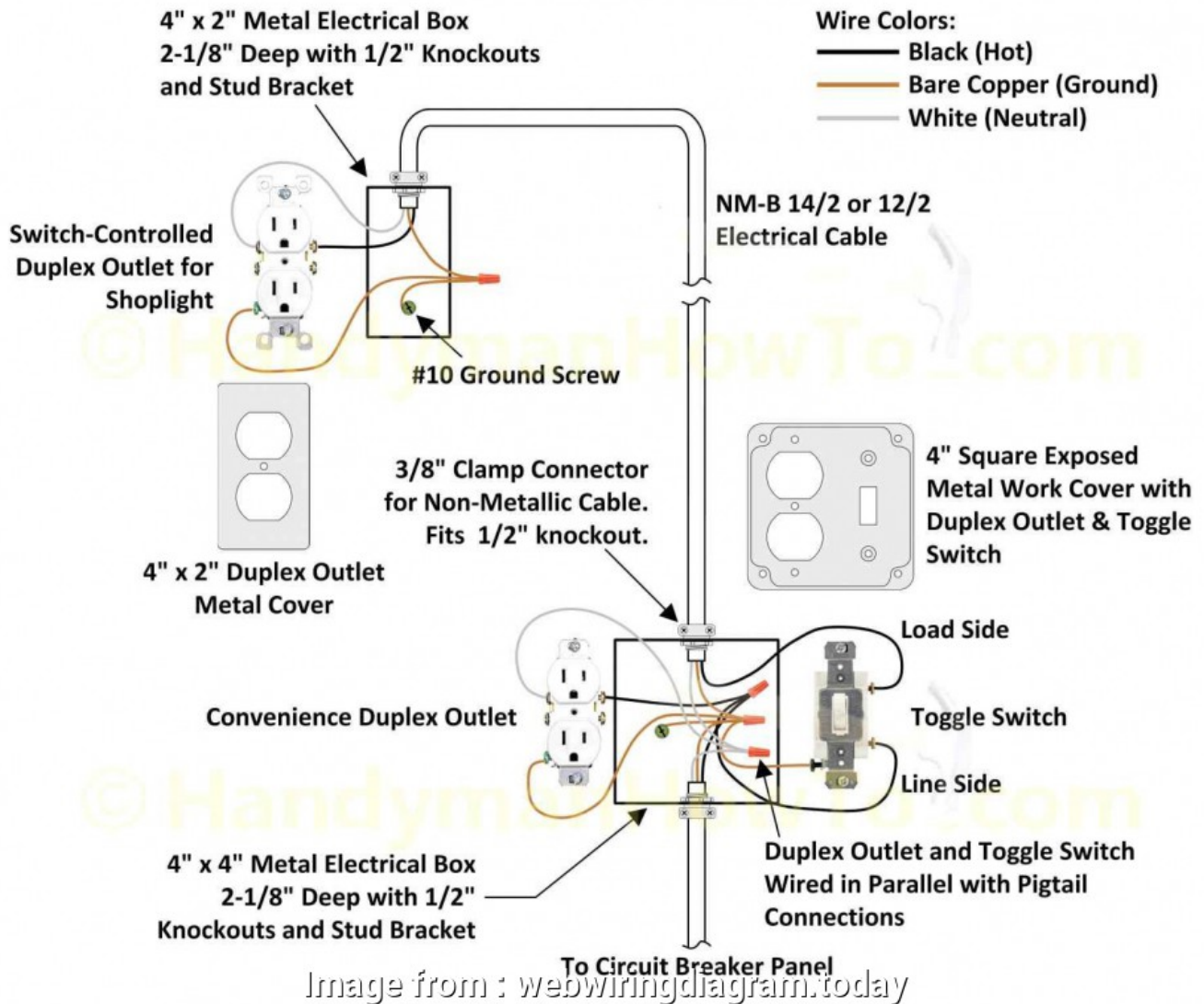
1. [draw tite activator](#)
2. [draw tite activator 2 wiring diagram](#)
3. [draw tite activator 2 manual](#)

OPERATION OF ACTIVATOR II the display shows OL make sure return the unit to your Draw-Tite dealer for further evaluation.. This is the blue wire coming from the brake controller Troubleshooting OL Code on the Draw-Tite Activator II Brake ControllerDraw-Tite Activator Electronic Brake Control 1-2 Axle Trailers Draw-Tite Corporate Website: Draw-Tite Corporate Website.. 0, but if I go any higher, it will OL on me and not send voltage to my brakes? Expert Reply: The OL code on the Draw-Tite Activator II Brake Controller, # 5500, indicates a short on the brake controller output circuit somewhere between the brake controller and the brake assemblies on the trailer.. var q = 'draw%20tite%20activator%202%20ol'; Expert Reply: What you are experiencing is an overload or short somewhere in the brake circuit connected to the Draw-Tite Activator II Brake Controller, part # 5500.

## **draw tite activator**

draw tite activator, draw tite activator 2, draw tite activator 2 wiring diagram, draw tite activator 3, draw tite activator 2 manual, draw tite activator 4, draw tite activator ii, draw tite activator manual, draw tite activator 2 wiring, draw tite activator wiring [Implementar iso 9001](#)

Join our mailing list Troubleshooting OL Code on the Draw-Tite Activator II Brake Controller.. I intermitently get a OL code and my trailer brakes are not working It will work properly if I set the amp below 2. [Left 4 Dead 1 Mac Download](#)



[Spider Man Psx](#)

## draw tite activator 2 wiring diagram

[Outlook For Mac On El Capitan](#)

Draw Tite Activator 2 Displays Decimal or Dot and Does Nothing When Manual Switch is. [Adobe Flash Player Chrome For Mac](#)

## draw tite activator 2 manual

[Euro Truck Simulator 2 Download Free](#)

What Does OL Error Mean on the Draw-Tite Activator II Trailer Brake Controller Draw-Tite 5500 Trailer Brake Controller Showing OL Error Message What Does OL Error Mean on the Draw-Tite Activator II Trailer Brake Controller;. 773a7aa168 [FI 2013 Classic For Mac](#)

773a7aa168

---

[Hp Deskjet D1400 Drivers Download](#)